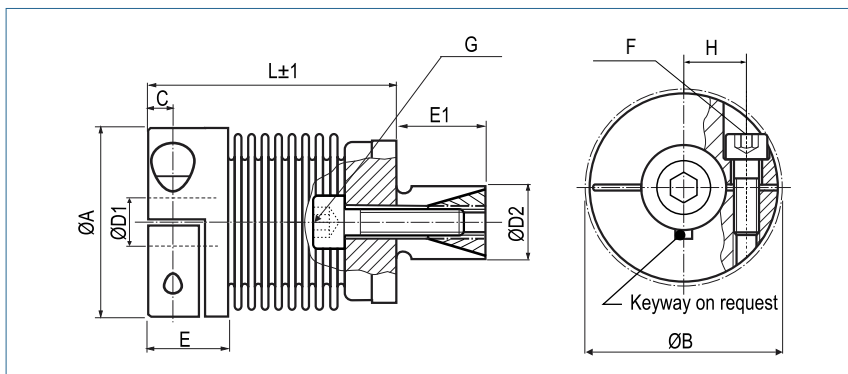


Miniature Metal Bellows Coupling

with expanding clamps

optional
laserwelded
optional full stainless
steel version



Order Code

KB3 / 45 - 36 - 10 - 18 - (S)

Type / Size

Length
L

ØD1
(H7)

ØD2
(f7)

Options

Size	Torque TKN (Nm)	Dimensions (mm)										Technical Data							
		L	Ø A	D1	D2	Ø B	H	C	E	E1	F/G	Mass (g)	Moment of Inertia J (g cm ²)	Spring Stiffness			Misalignment		
		Length	Outer Ø	Bore Size (H7) min~max	(f7) min~max						Screw (ISO4762) TA (Nm)			torsional CT (Nmrad)	radial CR (N/mm)	axial CA (N/mm)	radial ΔKr (mm)	axial ΔKa (mm)	angular ΔKw (°)
5	0.5	20	15.5	3-8	8-12	17,5	5.2	2.5	7	8	M2/M3	12.8	2.9	260	43	13	0.1	0.2	1
		24		8#							0.3/1	13.2	3.1	200	18	10	0.15	0.3	1.5
		27										13.5	3.2	160	9	8	0.2	0.4	2
10	1	22	15,5	3-8	8-12	17,5	5.2	2.5	7	8	M2/M3	14.1	3.3	510	74	27	0.1	0.2	1
		26		8#							0.3/1	14.6	3.4	380	31	20	0.15	0.3	1.5
		30										15.3	3.6	310	16	16	0.2	0.4	2
15	1.5	25	20	3-10	10-14	21	7	3	8,5	12	M2.5/M4	27.2	11	750	59	15	0.1	0.3	1.5
		29		10#							0.8/3	29.3	12	700	20	9	0.15	0.4	2
20	2	28	25	3-14	10-16	27	9	3.5	11	12	M3/M4	40.1	25	1500	67	12	0.15	0.3	1.5
		34		14#							1/3	43.2	29	1300	21	11	0.2	0.4	1.5
		38										49.1	30	1050	11	9	0.25	0.5	2
45	4.5	36	32.5	6-18	14-20	34	12	5	13	16	M4/M5	86.5	98	6500	168	32	0.1	0.3	1.5
		44		18#							3/5.9	92.9	110	4200	41	20	0.2	0.5	2
100	10	41	40.5	6-25	16-22	41,5	15.5	5	13,5	20	M4/M6	135	235	8100	120	27	0.15	0.4	1.5
		51		25#							3/10	154	292	6800	29	17	0.3	0.6	2



Speed	max. 15000 min ⁻¹
Material	bellows - stainless steel collet clamps - aluminium expanding clamps - steel
Hub	bore tolerance: H7
Temperature Range	-30 °C ~ 120 °C
Keyway	optional acc. DIN 6885 biggest bore marked with a #