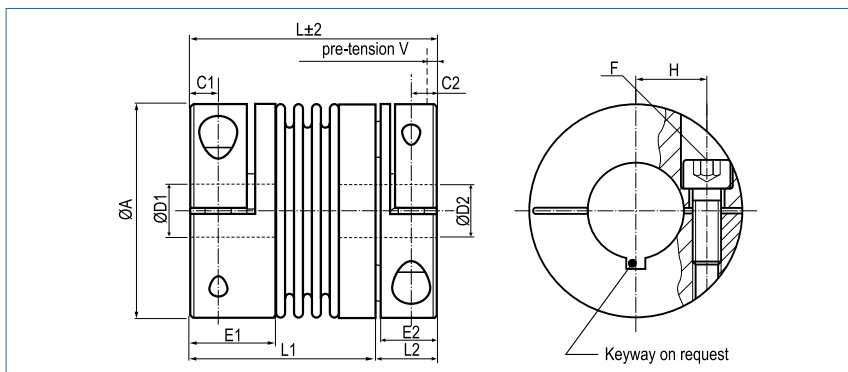
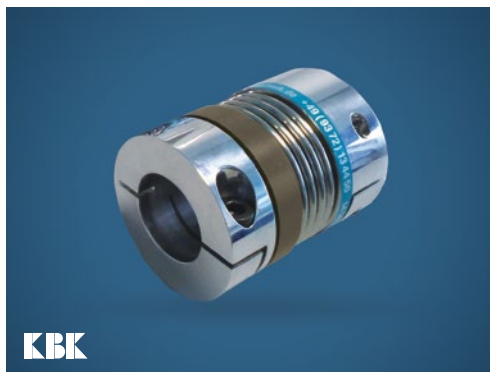


Metal Bellows Coupling

axial pluggable, with collet clamps

optional
laserwelded
optional full stainless
steel version



Order Code

KB4P / 150 - 95 - 44 - 28 - D - (S)

Type / Size

Length
L

ØD1
(H7)

ØD2
(H7)

Plug System

Options

| Size | Torque TKN (Nm) | Dimensions (mm) | | | | | | | | | | Technical Data | | | | | | | | |
|------|-----------------------|-----------------|----------------|---|----|-----|------|------|------|------|-----|-------------------------------|---------------------------------|---|-----------------------|-----------------------|----------------------|-----------------------|-----|-------|
| | | L Length | Ø A Outer Ø | D1/D2 Bore Sizes (H7) min-max | H | C1 | C2 | E1 | E2 | B | F | Screw (ISO4762) TA (Nm) | Mass (kg) | Moment of Inertia J (g m ²) | Spring Stiffness | | | Misalignment | | |
| | | | | | | | | | | | | | torsional CT 10° (Nm/rad) | radial CR (N/mm) | axial CA (N/mm) | radial ΔKr (mm) | axial ΔKa (mm) | angular ΔKw (°) | | |
| 18 | 18 | 62 | 45 | 10-24 | 17 | 5.5 | 5.5 | 17.5 | 12 | 47.4 | M5 | 0.14 | 0.05 | 20 | 205 | 50 | 0.2 | 0.5 | 1.5 | 12800 |
| | | 70 | | | | | | | | | 8 | 0.19 | 0.06 | 15 | 82 | 36 | 0.25 | 0.5 | 2 | |
| 30 | 30 | 73 | 56 | 10-30 | 20 | 7.5 | 7.3 | 24.5 | 17 | 56.4 | M6 | 0.29 | 0.14 | 38 | 720 | 50 | 0.15 | 0.6 | 1.5 | 10300 |
| | | 81 | | | | | | | | | 15 | 0.31 | 0.15 | 28 | 225 | 28 | 0.25 | 1.0 | 2 | |
| 60 | 60 | 85 | 66 | 12-35 | 23 | 10 | 8.6 | 29 | 21 | 66 | M8 | 0.47 | 0.33 | 75 | 1150 | 90 | 0.15 | 0.6 | 1.5 | 8700 |
| | | 95 | | | | | | | | | 40 | 0.57 | 0.36 | 50 | 340 | 50 | 0.25 | 1.0 | 2 | |
| 80 | 80 | 95 | 82 | 12-44 | 28 | 11 | 9.8 | 33.5 | 21.5 | 82.9 | M10 | 0.81 | 0.89 | 128 | 1200 | 80 | 0.2 | 0.5 | 1.5 | 6900 |
| | | 106 | | | | | | | | | 84 | 0.90 | 0.99 | 75 | 400 | 50 | 0.25 | 0.8 | 2 | |
| 150 | 150 | 95 | 82 | 14-44 | 28 | 11 | 9.8 | 33.5 | 21.5 | 82.9 | M10 | 0.91 | 1.08 | 155 | 2020 | 145 | 0.2 | 0.5 | 1.5 | 6900 |
| | | 106 | | | | | | | | | 84 | 1.00 | 1.18 | 105 | 595 | 85 | 0.25 | 0.8 | 2 | |
| 200 | 200 | 105 | 90 | 16-47 | 31 | 13 | 10.8 | 38 | 24 | 90.8 | M12 | 1.16 | 1.47 | 175 | 2500 | 145 | 0.2 | 0.5 | 1.5 | 6400 |
| | | 117 | | | | | | | | | 125 | 1.26 | 1.67 | 120 | 460 | 82 | 0.25 | 0.8 | 2 | |
| 300 | 300 | 114 | 110 | 20-60 | 40 | 13 | 10.8 | 38 | 27 | 110 | M12 | 1.68 | 3.33 | 502 | 6300 | 280 | 0.2 | 0.5 | 1.5 | 6000 |
| | | 125 | | | | | | | | | 145 | 1.78 | 3.53 | 285 | 1400 | 145 | 0.25 | 0.8 | 2 | |
| 500 | 500 | 136 | 122 | 25-70 | 42 | 15 | 13.3 | 42 | 42 | 122 | M12 | 2.50 | 6.21 | 690 | 7790 | 100 | 0.2 | 0.5 | 1.5 | 5000 |
| | | 147 | | | | | | | | | 145 | 2.60 | 6.41 | 320 | 970 | 85 | 0.25 | 1.0 | 2 | |



| | |
|--------------------------|---|
| Material | bellows – stainless steel hub - high-tensile aluminium |
| Hub | bore tolerance: H7 |
| Keyway | optional acc. DIN 6885 |
| Temperature Range | -30 °C ~ 120 °C |

| Size | Dimensions (mm) | | | |
|------|-----------------|------|------|---------|
| | L1 | L2 | L3 | V |
| 18 | 48 | 14 | 22 | 0.5-1.0 |
| | 56 | | | |
| 30 | 54 | 19 | 31 | 0.5-1.0 |
| | 62 | | | |
| 60 | 62 | 23 | 35 | 0.5-1.5 |
| | 72 | | | |
| 80 | 71.5 | 23.5 | 37.5 | 0.5-1.5 |
| | 82.5 | | | |
| 150 | 71.5 | 23.5 | 37.5 | 0.5-1.5 |
| | 82.5 | | | |
| 200 | 79 | 26 | 42 | 0.5-1.5 |
| | 91 | | | |
| 300 | 85 | 29 | 47 | 0.5-1.5 |
| | 96 | | | |
| 500 | 92 | 44 | 66 | 0.5-2.0 |
| | 103 | | | |

